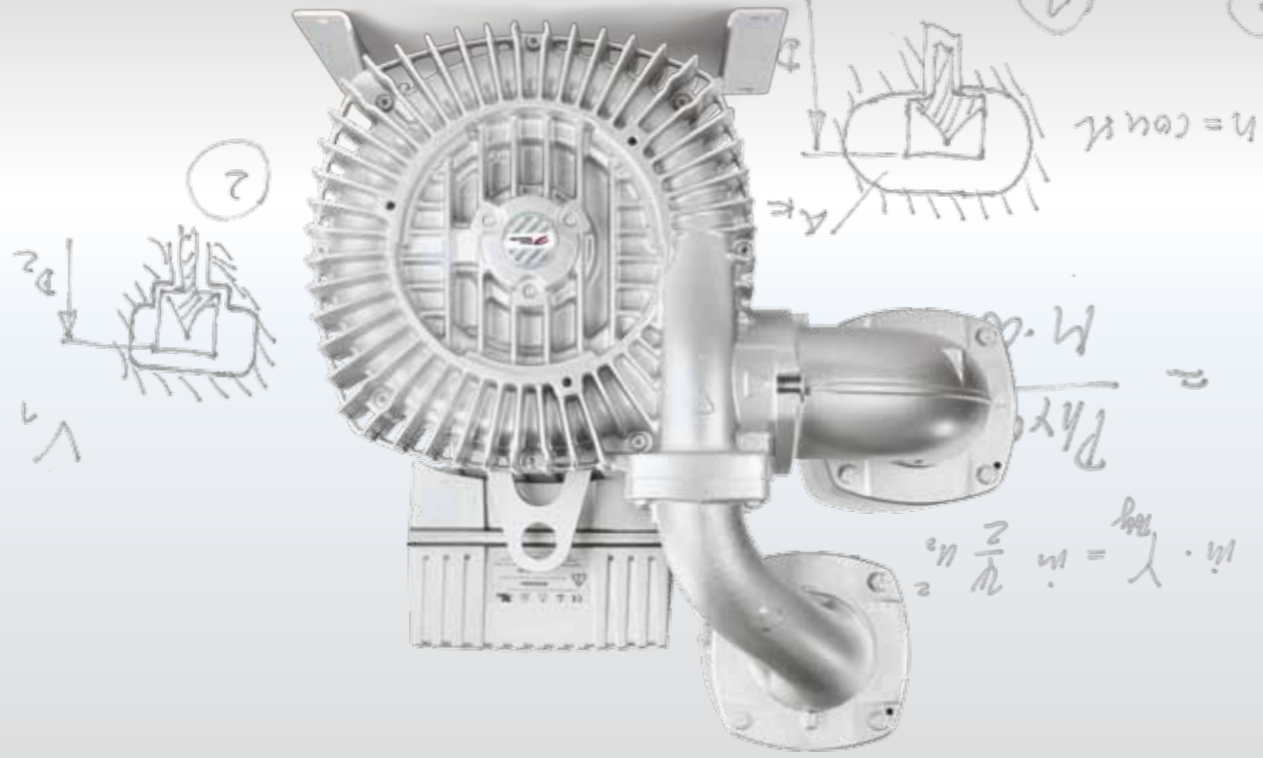
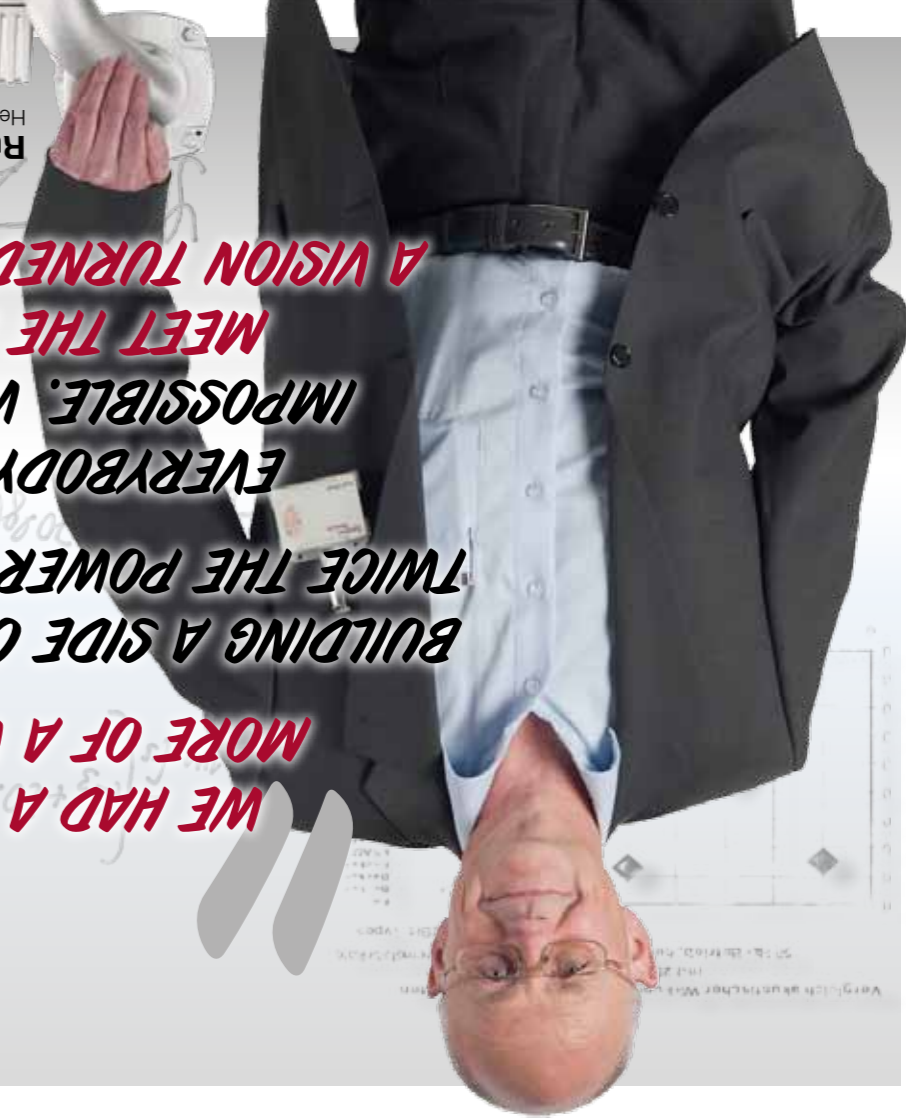


HERE COMES THE G-BH8.

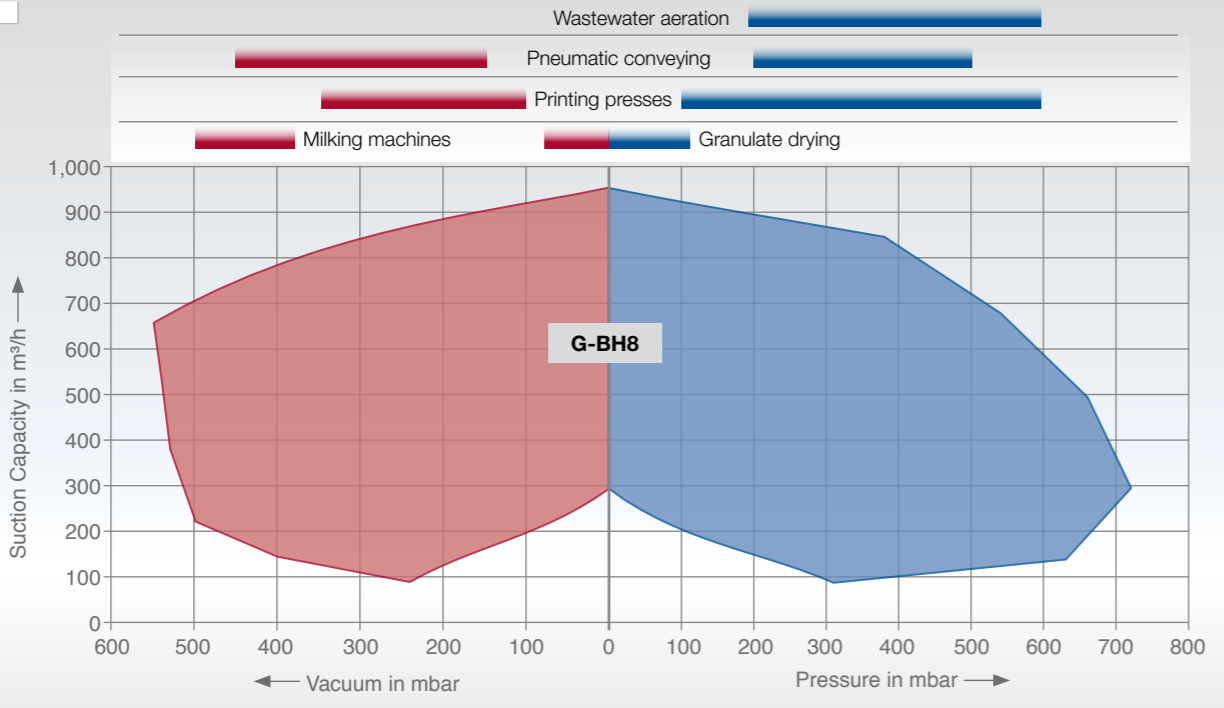


**WE HAD A GREAT IDEA.
MORE OF A VISION REALLY.
BUILDING A SIDE CHANNEL BLOWER AT
TWICE THE POWER AND HALF THE SIZE.
EVERYBODY SAID IT WAS
IMPOSSIBLE. WELL, WE DID IT.
MEET THE NEW G-BH8.
A VISION TURNED INTO INNOVATION.**

Rudi Dittmar, Engc.
Head of R&D at Gardner Denver Deutschland



Air Map



Gardner Denver

Elmo Rietschle is a brand of Gardner Denver's Industrial Products Group and part of Blower Operations

Gardner Denver Schopfheim GmbH
Roggenbachstraße 58
79650 Schopfheim · Germany
Phone +49 7622 392-0
Fax +49 7622 392-300
www.gd-elmorietschle.de · er.de@gardnerdenver.com

Gardner Denver Deutschland GmbH
Industriestraße 26
97616 Bad Neustadt · Germany
Phone +49 9771 6888-0
Fax +49 9771 6888-4000

Order No.: GDJ-B-SB112-76-00, Printed in Germany, Dispo 27803, 0005.0593, 1.0/10 -2011, ©2011 All Rights Reserved, HENNIG · Nbg



The Innovation leader

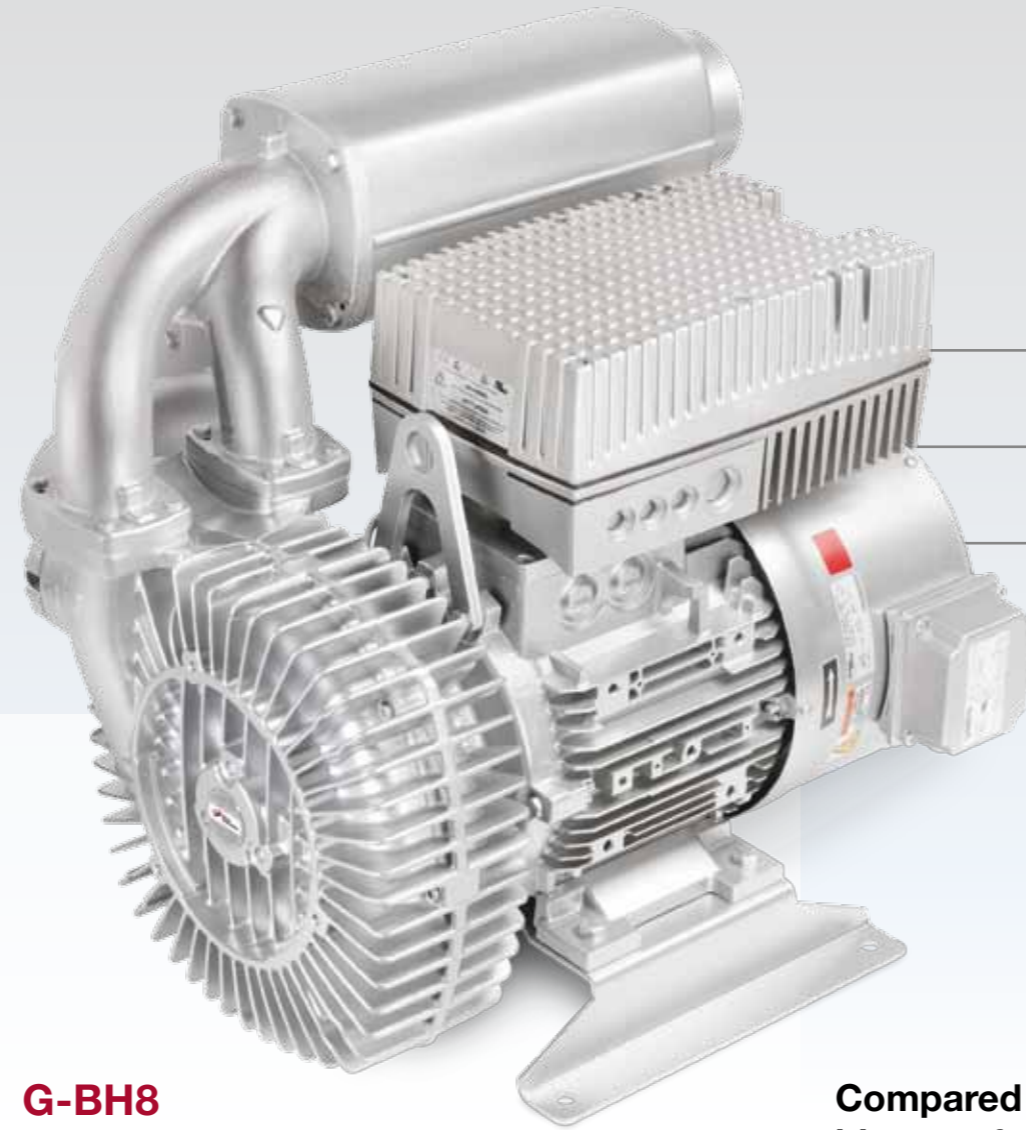


**Turning visions into innovation.
G-BH8: Half the size. Twice the power.**



G-BH8

Half the size
Twice the power
Half the noise



Technical Highlights

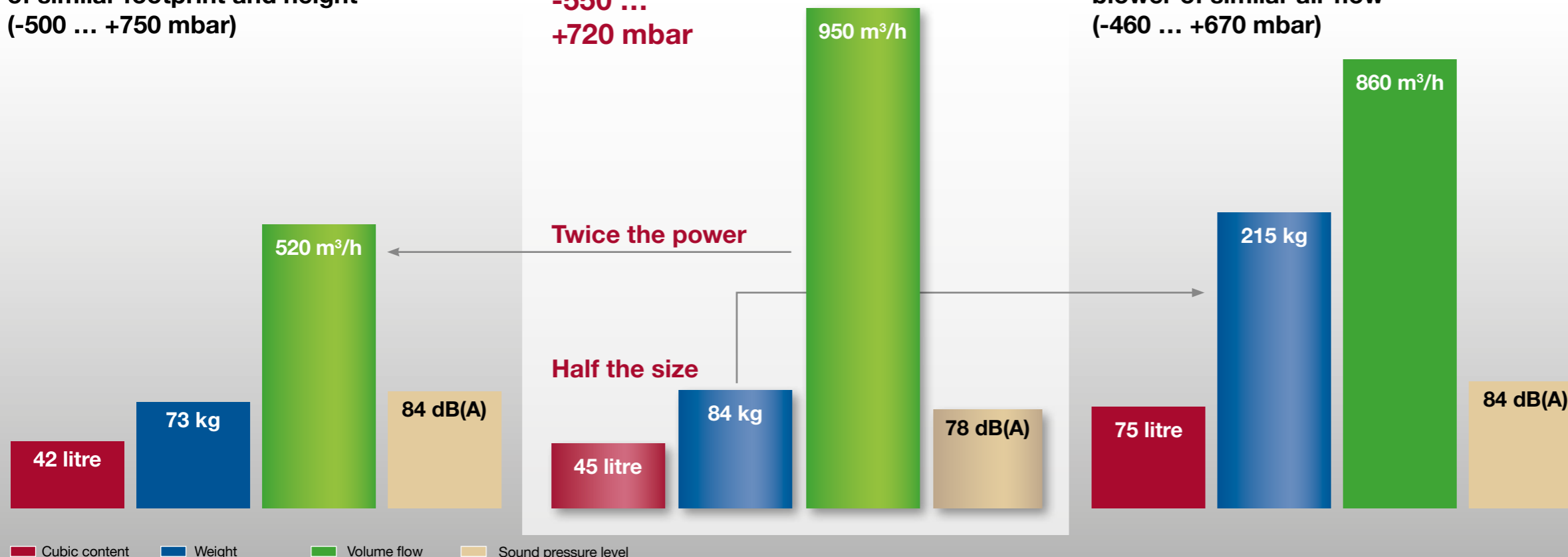
- ✓ Lower energy consumption thanks to higher pump efficiency
- ✓ Flexible speed drive
- ✓ Noise emission reduced by half
- ✓ Pulsation free compression
- ✓ Virtually maintenance free



Compared to a side channel blower of similar footprint and height (-500 ... +750 mbar)

G-BH8
-550 ...
+720 mbar

Compared to a side channel blower of similar air flow (-460 ... +670 mbar)



Achieving sustainability

High impact material reduces hardware demands. Maintenance free with no wearing parts.

Reducing your costs

Life cycle cost champions thanks to high energy efficiency and low costs for shipping, storing and installing.

Optimizing your processes

Flexible speed drives make sure you consume just the power you need.